

IK EC10.1-DVC2

VW MULTI-TRANS



IMPACT

K-SERIES

250MM / 10INCH SUBWOOFER
2x2Ω SEALED ENCLOSURE
FOR VOLKSWAGEN T6.1 / T6 / T5



Example installation

- Powerful enclosure subwoofer especially designed for installation in the seat console of Volkswagen T6.1, T6 and T5
- Optimized construction design delivers outstanding sound quality and ideal bass dispersion in the vehicle
- Equipped with one powerful 250 mm / 10" woofer with sandwich paper cone for rich, deep bass
- Pluggable screw terminal for quick and safe installation and removal
- Voice coil impedance configurable via connection terminal allows flexible system configuration – 2 x 2 Ohms, 1 x 4 Ohms or 1 x 1 Ohm
- Flush-mounted subwoofer chassis for space-saving design and enhanced protection
- Sturdy carpet surface with embroidered HELIX logo

Technical data

Technische Daten

Power handling <i>Belastbarkeit</i>	RMS	300 W
Recommended amplifier power <i>Empfohlene Verstärkerleistung</i>	RMS	150 - 300 W
Impedance <i>Impedanz</i>	Z	2 x 2 Ω / 1 x 4 Ω / 1 x 1 Ω
Max. linear excursion <i>Max. linearer Membranhub</i>	X _{max}	+/- 6 mm
Sensitivity <i>Wirkungsgrad</i>	SPL	90 dB @ 2.83V / 1m 87 dB @ 1W / 1m
Dimensions (H x W x D) <i>Abmessungen (H x B x T)</i>		193 x 350 x 330 mm 7.6 x 13.5 x 13"
Integrated subwoofer chassis <i>Verbautes Subwoofer-Chassis</i>		HELIX IK S10-DVC2

Recommended DSP settings

Empfohlene DSP Einstellungen

Highpass filter <i>Hochpassfilter</i>	"Self-Define": 46 Hz / Q = 1.4
EQ filter <i>EQ-Filter</i>	100 Hz / Q = 1.5 / -3 dB

Overview of the DSP settings made in the Audiotec Fischer DSP PC-Tool /
Übersicht über die vorgenommenen DSP-Einstellungen im Audiotec Fischer DSP PC-Tool



IK EC10.1-DVC2

VW MULTI-TRANS

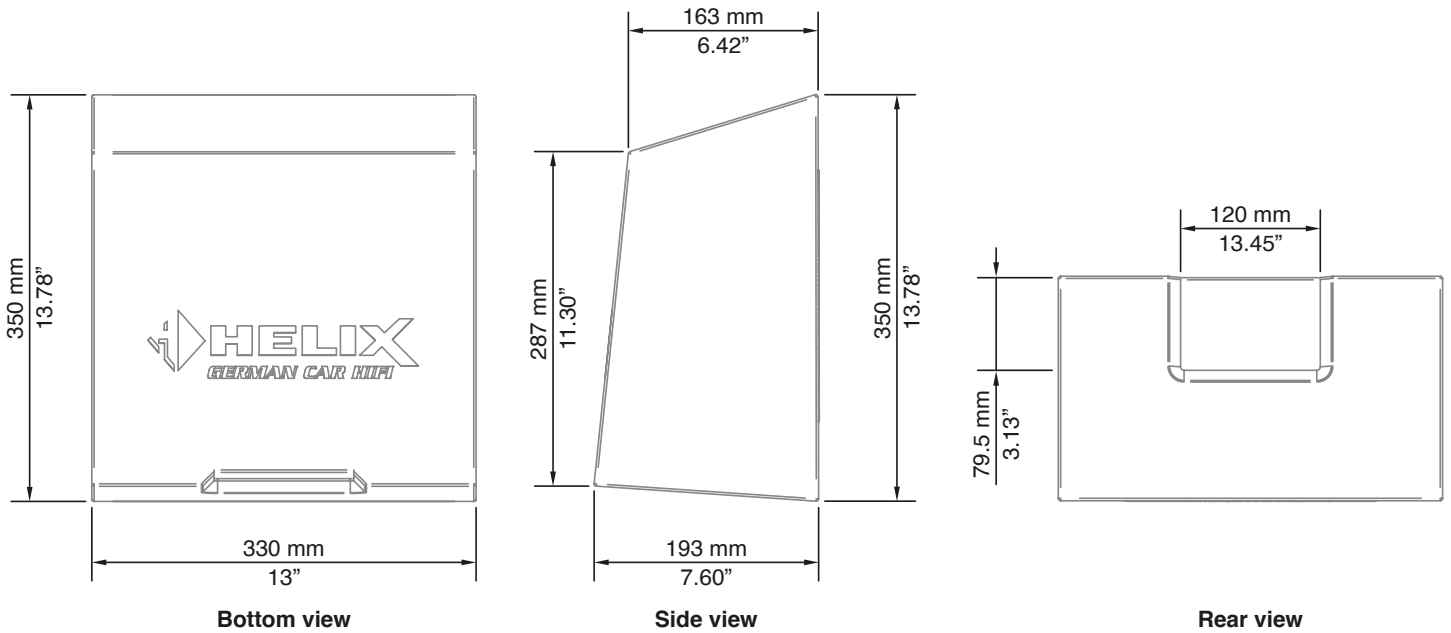


IMPACT

K-SERIES

Dimensions

Abmessungen

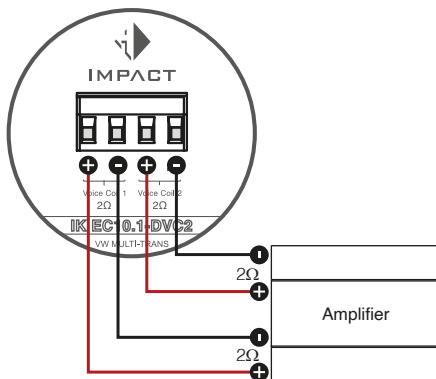


Wiring configurations

Anschluss

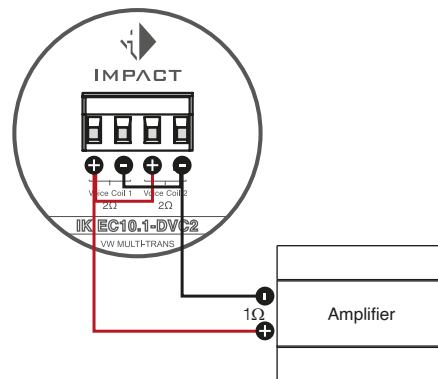
2 x 2 Ω configuration on two amplifier channels

2 x 2 Ω Konfiguration an zwei Verstärkerkanälen



1 x 1 Ω configuration on one amplifier channel

1 x 1 Ω Konfiguration an einem Verstärkerkanal



1 x 4 Ω configuration on one amplifier channel

1 x 4 Ω Konfiguration an einem Verstärkerkanal

