

IK EB6.1-SVC2



IMPACT

K-SERIES

160MM / 6INCH SUBWOOFER
1x2Ω PORTED ENCLOSURE



- Impressive sound pressure and audio performance comparable to larger subwoofers
- Ultra-compact subwoofer in car battery format allows installation in unused battery compartments in vehicle interiors
- Bass reflex enclosure technology for maximum sound pressure
- Powerful 6" / 160 mm high excursion woofer with extremely stiff, hand-scooped paper cone and single voice coil ensures rich, deep bass
- 1 x 2 Ohms impedance for maximum power output of the amplifier
- Pluggable screw terminal for quick and safe installation and removal
- Sturdy carpet surface with embroidered HELIX logo
- Solid metal grille for perfect protection of the woofer cone

Technical data

Technische Daten

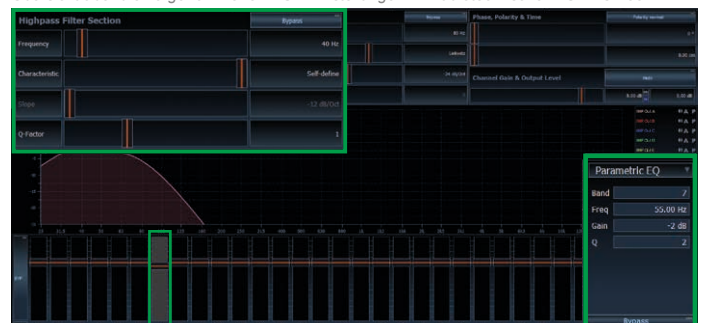
Power handling <i>Belastbarkeit</i>	RMS	150 W
Recommended amplifier power <i>Empfohlene Verstärkerleistung</i>	RMS	75 - 150 W
Impedance <i>Impedanz</i>	Z	1 x 2 Ω
Max. linear excursion <i>Max. linearer Membranhub</i>	X _{max}	+/- 6 mm
Port tuning frequency <i>Tunnelabstimmungsfrequenz</i>	F _b	48 Hz
Sensitivity <i>Wirkungsgrad</i>	SPL	92 dB @ 2.83V / 1m 86 dB @ 1W / 1m
Dimensions (H x W x D) <i>Abmessungen (H x B x T)</i>		175 x 175 x 340 mm / 6.9 x 6.9 x 13.4"
Integrated subwoofer chassis <i>Verbautes Subwoofer-Chassis</i>		HELIX IK W6-SVC2

Recommended DSP settings

Empfohlene DSP Einstellungen

Highpass filter <i>Hochpassfilter</i>	"Self-Define": 40 Hz / Q = 1.0
EQ filter <i>EQ-Filter</i>	55 Hz / Q = 2.0 / -2 dB

Overview of the DSP settings made in the Audiotec Fischer DSP PC-Tool /
Übersicht über die vorgenommenen DSP-Einstellungen im Audiotec Fischer DSP PC-Tool



IK EB6.1-SVC2

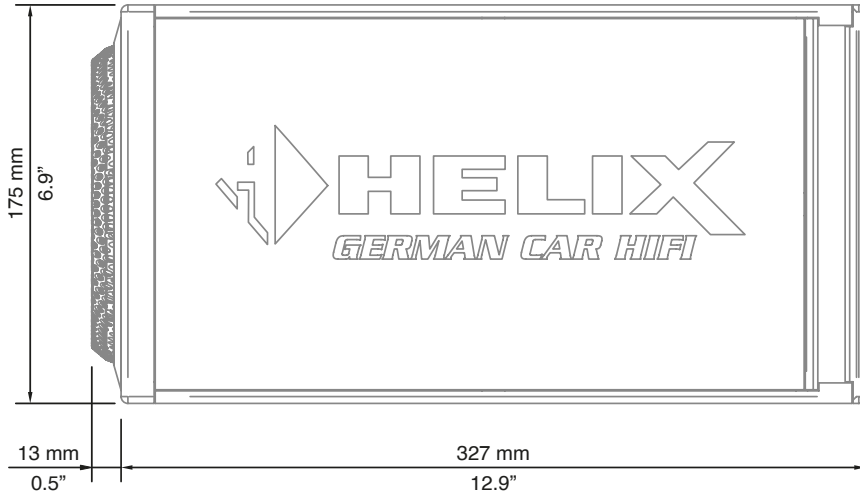


IMPACT

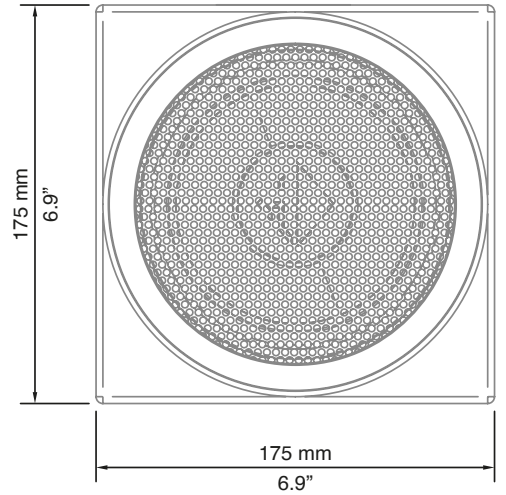
K-SERIES

Dimensions

Abmessungen



Top view



Side view

Wiring configurations

Anschluss

1 x 2 Ω configuration on one amplifier channel

1 x 2 Ω Konfiguration an einem Verstärkerkanal

