



Product image



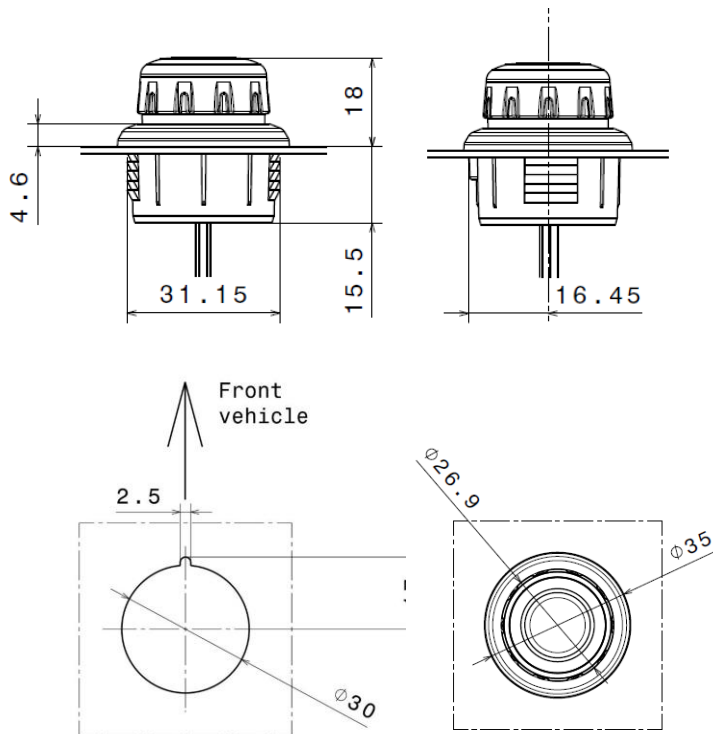
Product specifications

- Universal Rotary Knob
- Compatibility with all Pioneer Head Units
- Connects to the 3.5 mini jack input of the Pioneer Head Unit
- The female jack input on the harness makes it possible to combine the installation together with a steering wheel interface
- Plug & Play installation
- Functions such as Volume +/- and accepting an incoming call can be performed
- The knob has a self-return encoder
- Housing material is made of high quality plastic
- Nice design with a black finish which gives an OEM type of feeling
- Allows flexible and easy installation on the dashboard or center console of any vehicle with a cable length of 2 meters

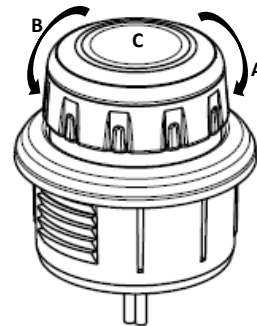


Product Dimensions

Scale: mm



Functions



Button	Function
A	VOL+
B	VOL-
C	Answer incoming call